

Additional Information:

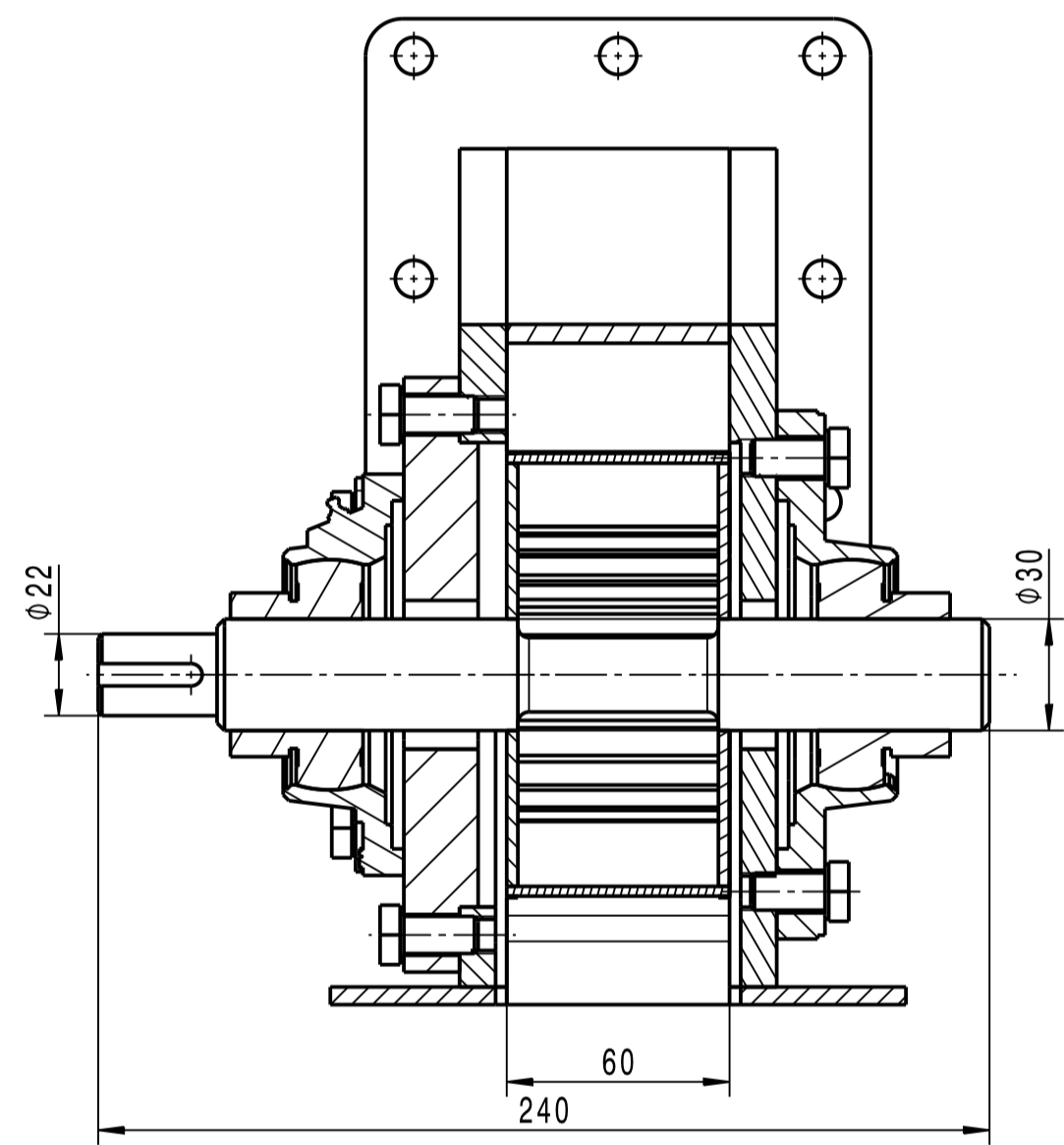
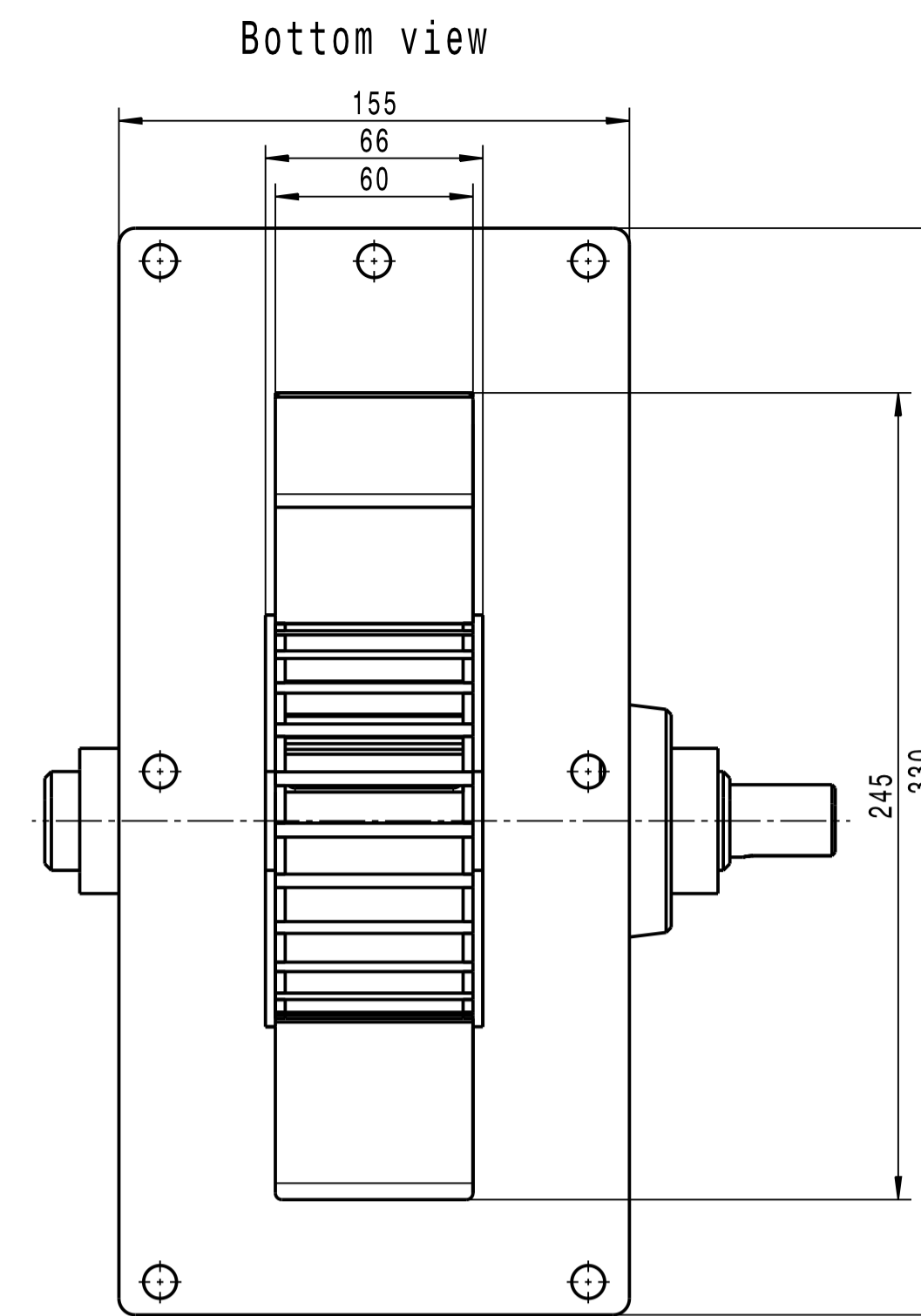
- Scale of all views: 1 : 2
- Material of all components: steel
- Bearings: 2 x flanged Y-bearings, cast housing, type: FY 30 TB
- Number of runner-blades: 24

Expected Operation Range:

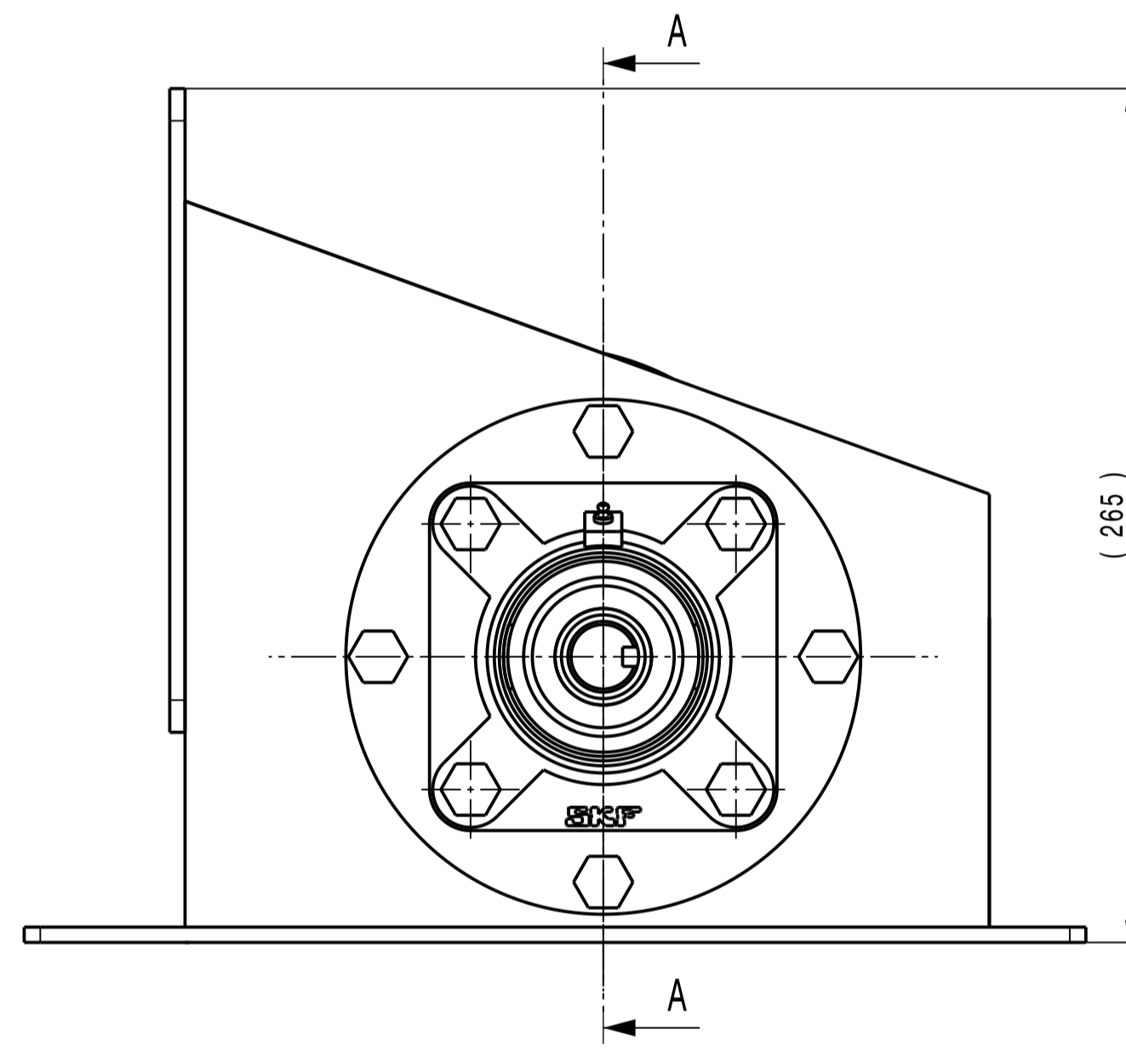
- Head: 8 - 30 [m]
- Flow: 10 - 30 [l/s]
- Power Output: 1 - 3,5 [kW]
- Speed*: 1800 [rpm]

* at H = 30 [m] and F = 25 [l/s]

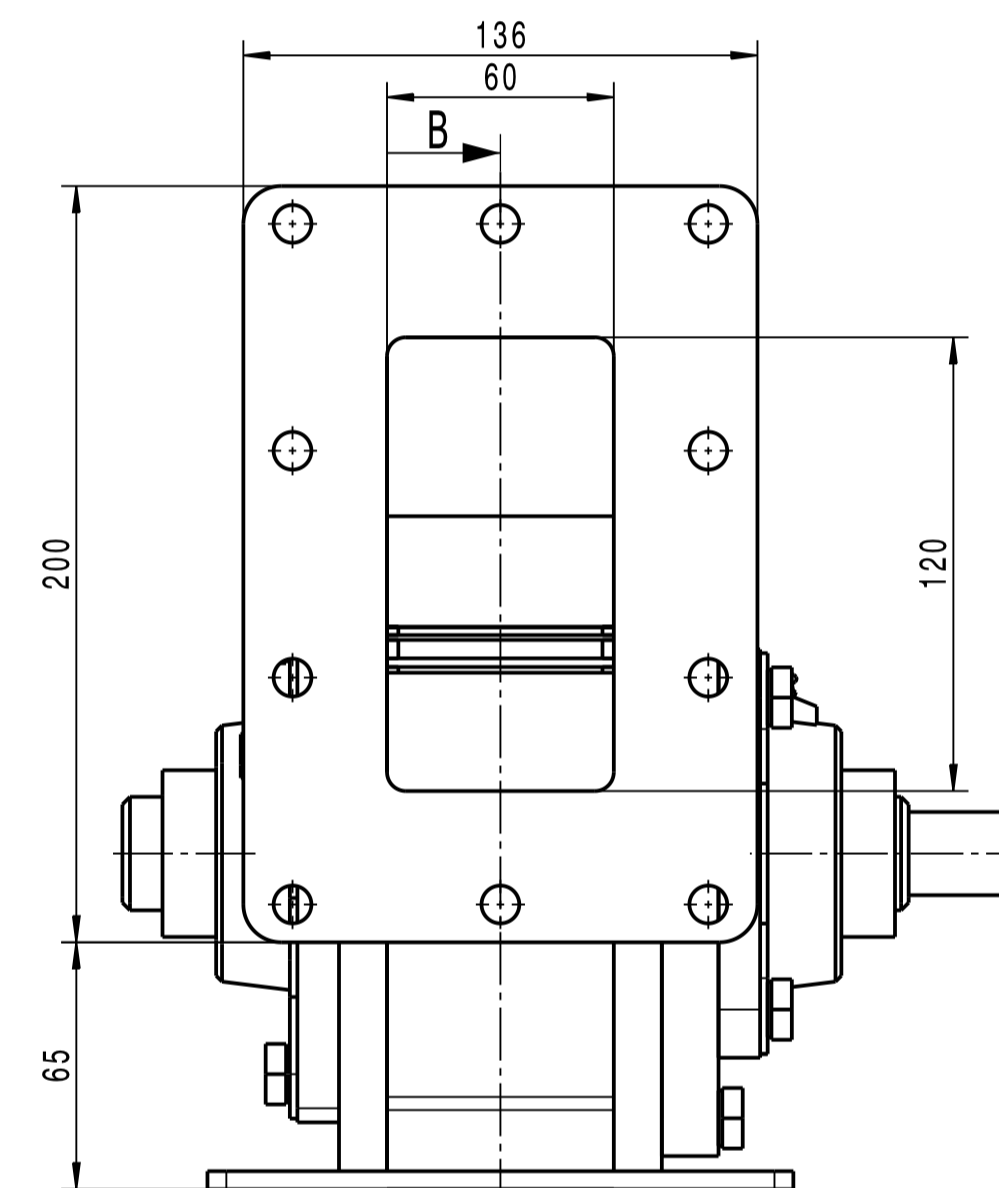
Pico Cross Flow Turbine



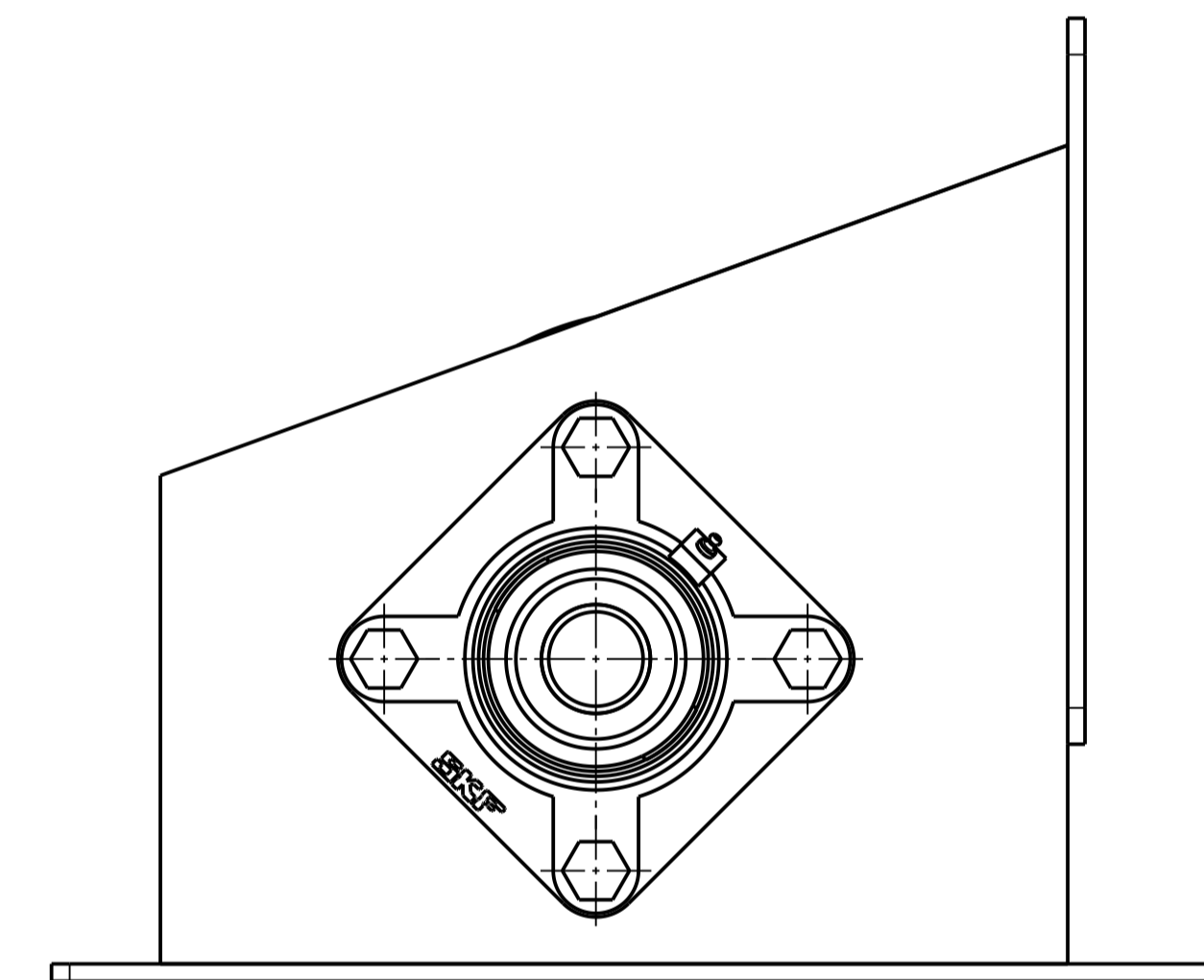
Section view A-A



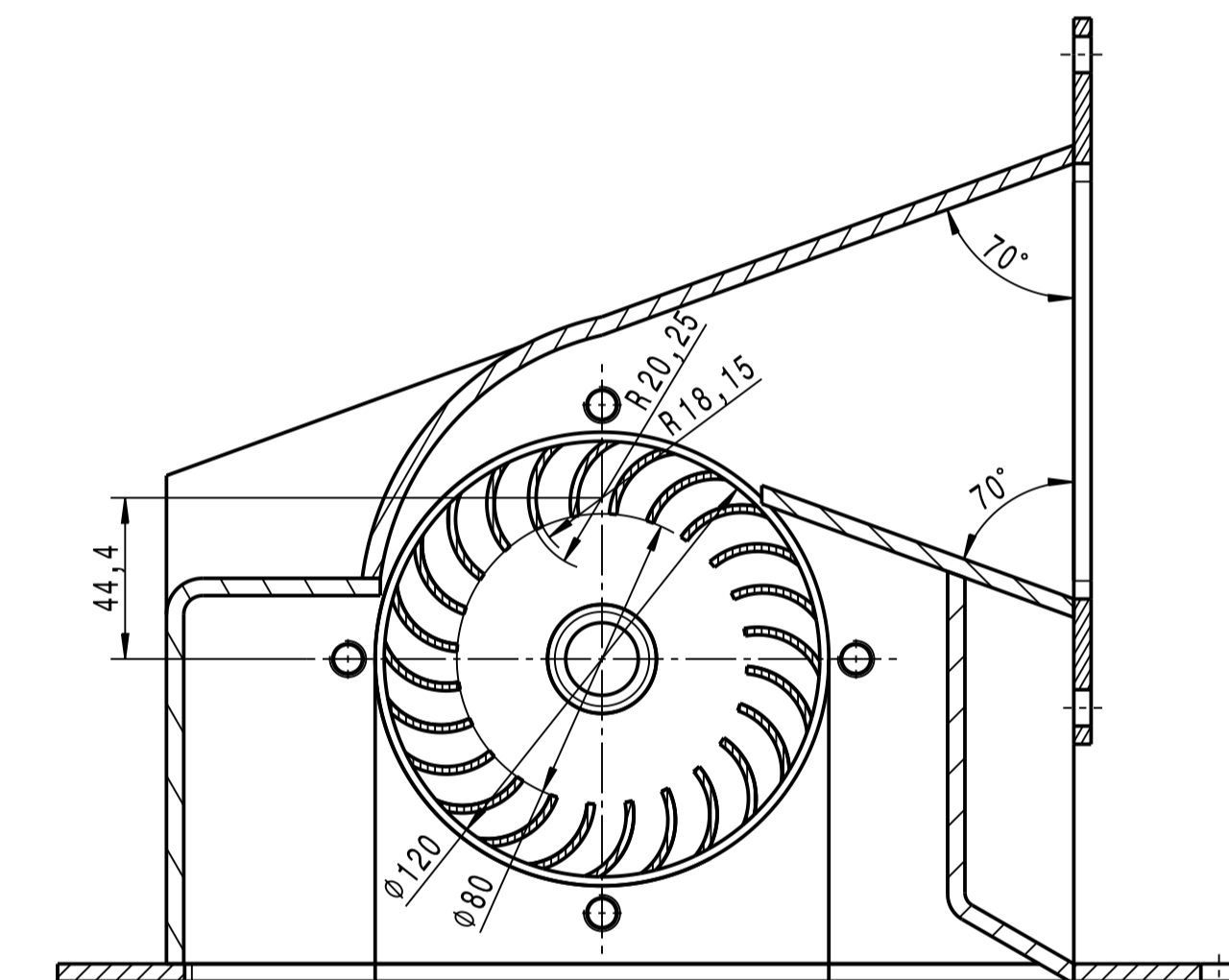
Right view



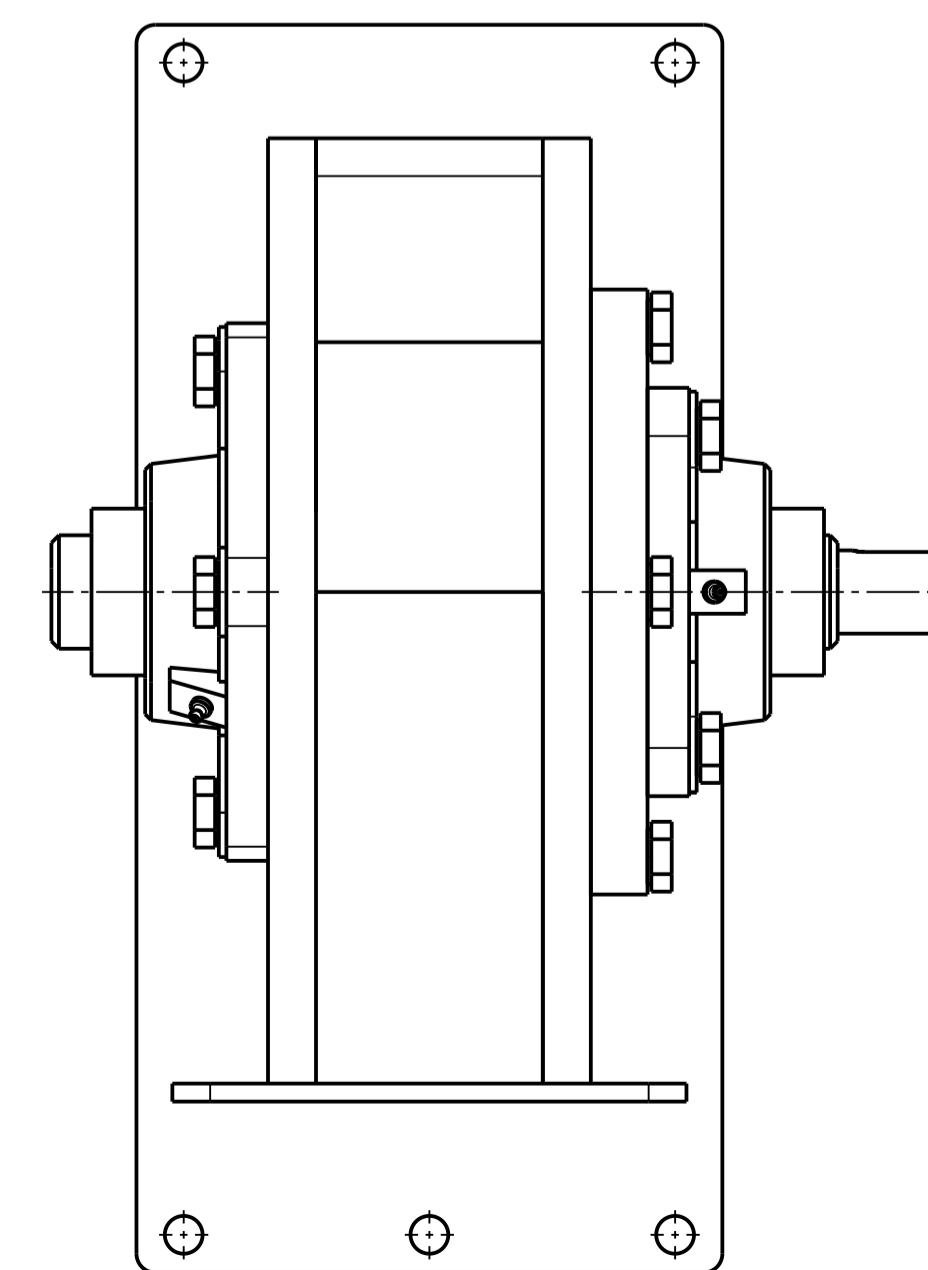
Front view



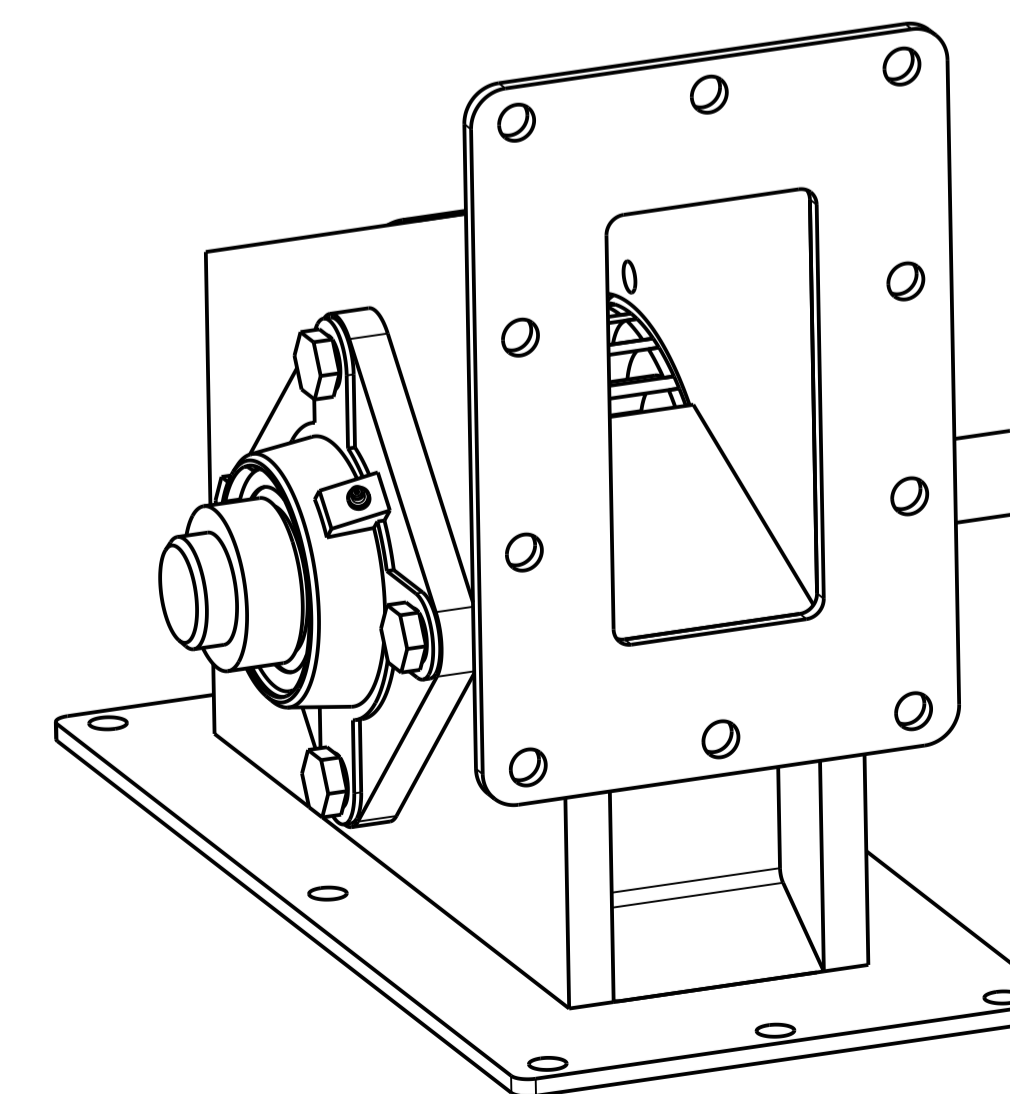
Left view



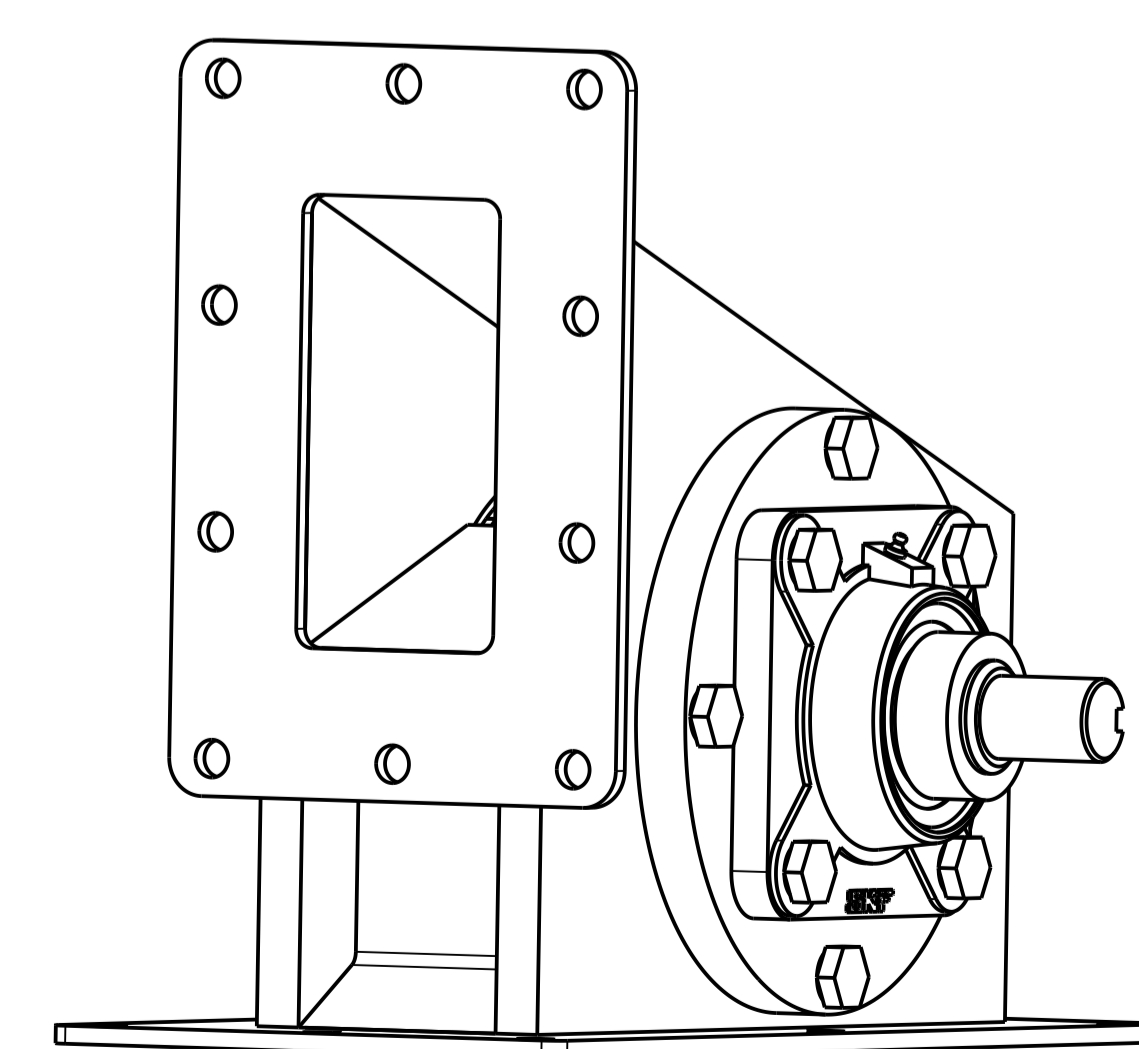
Section view B-B



Top view



Isometric view



Isometric view